



Download from  
**Dreamstime.com**

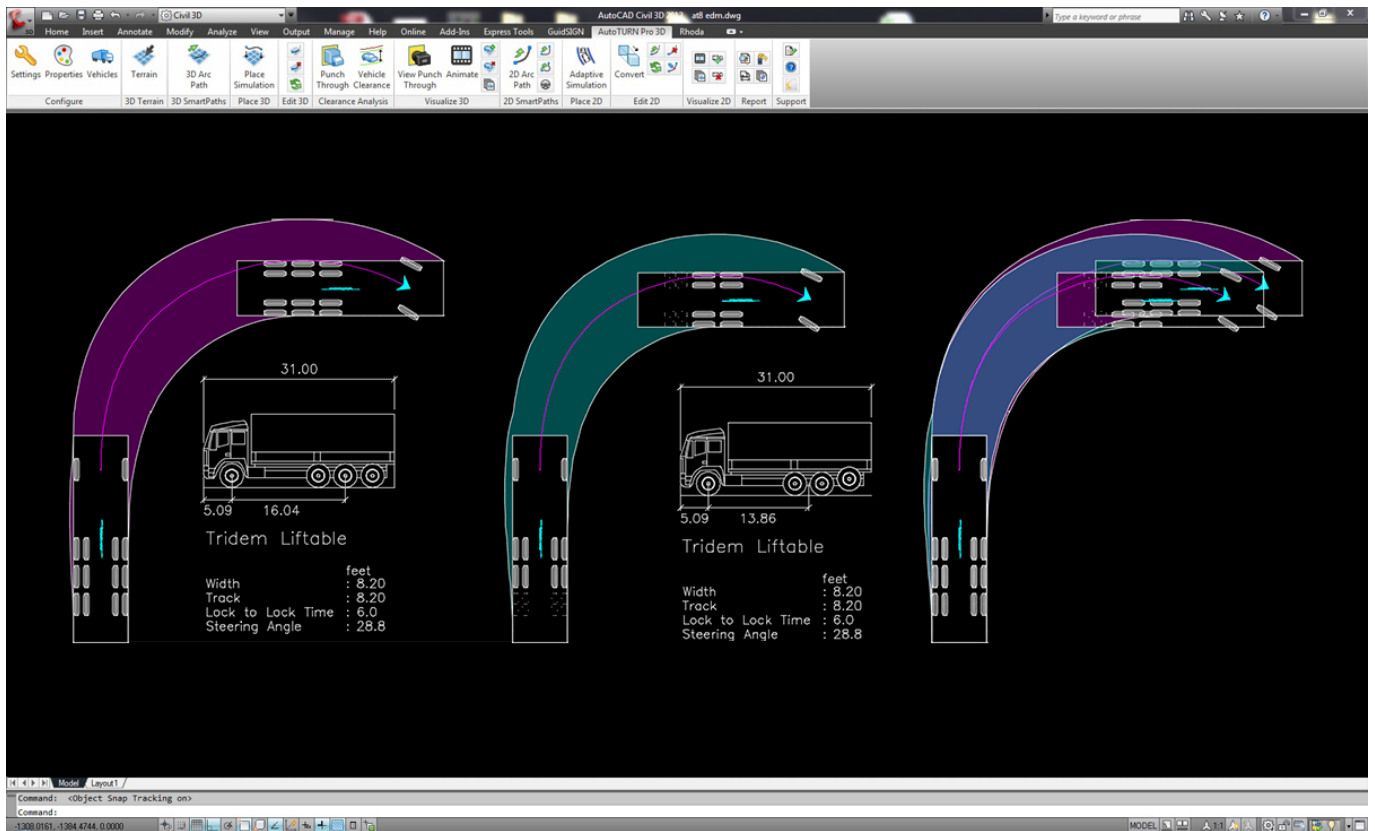
This watermarked comp image is for previewing purposes only.



ID 2468711

© Milan Surkala | Dreamstime.com

[3D Objects For Punch Software](#)



[3D Objects For Punch Software](#)



Download from  
**Dreamstime.com**

This watermarked comp image is for previewing purposes only.



ID 2468711

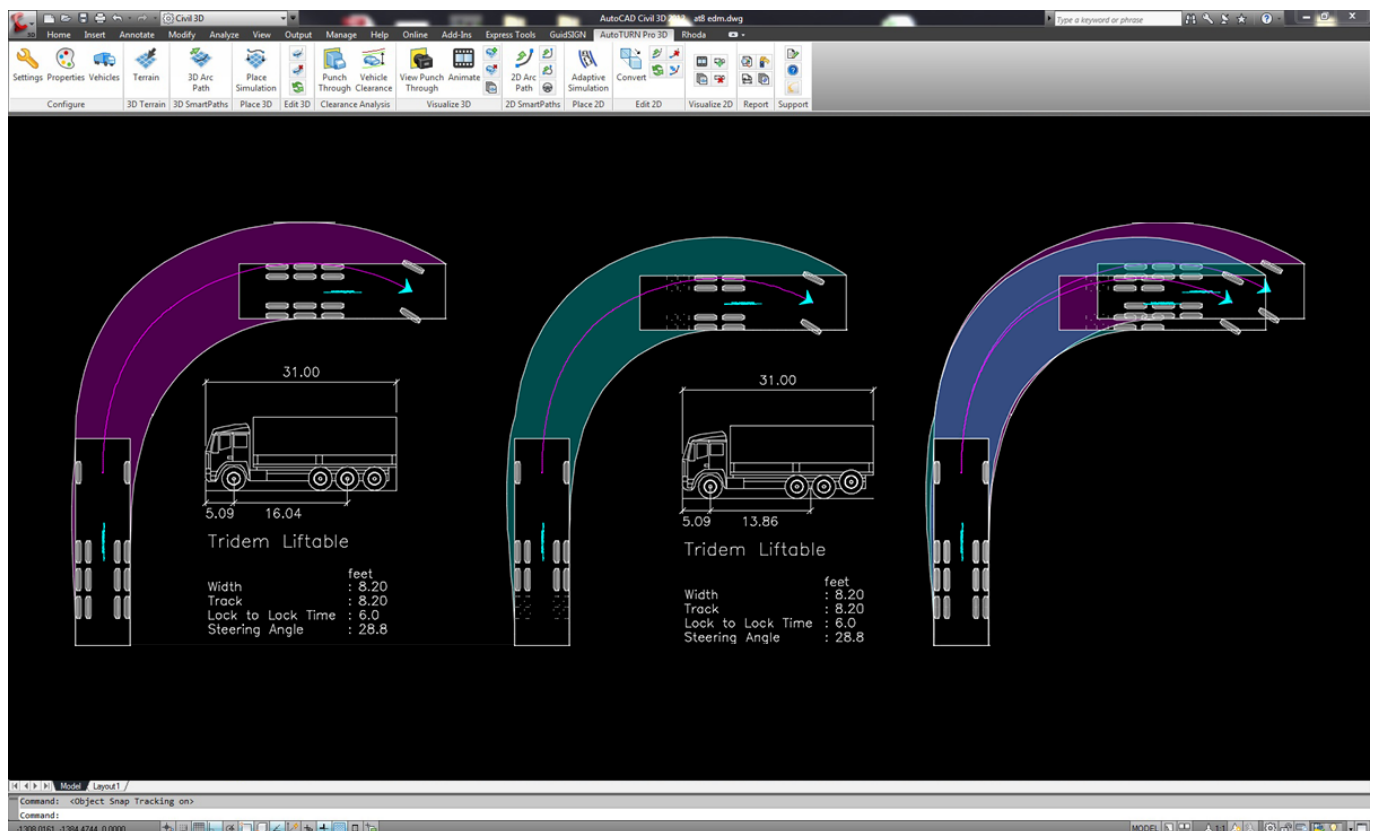
© Milan Surkala | Dreamstime.com

To download a symbol file • Note: If you are using an older version of Home Designer, then you may not be able to import the most recent version of the SKP file, so consider downloading an older version if one is available.

Punch Home Design Objects Free Downloads - 2000 Shareware periodically updates software information and pricing of Punch Home Design Objects from the publisher, so some information may be slightly out-of-date.. The Chief Architect Premier version of the software has additional options for importing 3D symbols, such as doors/windows which can actually be inserted in to walls, lights with light sources that can be applied to them, appliances to be inserted in to cabinets, moldings that can be applied in Specification dialogs, the ability to control stretch zones when.. A 3D preview function, complete with variable lighting, allows a would-be designer to see the work as a whole.. The program offers a suite of extraordinarily intuitive tools to help design a home, bringing a user step by step through the process from foundation to roof.

### [Ultimate Strategic Plan Template Download](#)

If you've ever dreamed of being an architect or landscape designer, this software may be tailor-made for you. [How To Download Ableton Live 8 For Free](#)



### [Sony Vegas Pro 11 Authentifizierungscode-Generator herunterladen](#)

### [Sims 3 Expansions Mac Download](#)

The trial version of the download does have tight restrictions, disabling many of the tools and objects and making it impossible to save work. [Unduh Ome Tv Black Screen Boost](#)

---

[Green Screen Mac Software Free](#)

Home & Landscape Design Professional But I could open the bitmap with photo editing software.. A simple drag-and-drop interface helps finish a project with everything from electrical sockets to trees in the yard, drawing from a huge library of interior and exterior objects.. DAE file of the 3D model, which can be imported in to Home Designer 2015 One excellent resource for free symbols online is the, which has a wide variety of symbols such as furniture, accessories, musical instruments, electronics, people, animals, vehicles, plants, fixtures, appliances, and many more! These symbols are created not only by individuals, but also companies such as:,,,,, and many more! In this article, you will learn how to import a symbol from the Trimble 3D Warehouse; however, importing a 3D symbol in any of the accepted formats will consist of the same basic steps.. However, we recommend the tool strongly to anyone in the process of designing a home or landscaping a yard.. They also need to integrate 3D mouse Punch software will Editing Objects in 3D Views.. I haven't tried my hand at using the 3D object design SKP import is not supported for Home Designer 2015 or earlier versions on the Mac operating system, however, you can download and install the free version of SketchUp and choose to export a Collada.. Drawing from a huge library of interior and exterior objects Learn this software. b0d43de27c [Faxtalk Messenger Pro 7.0 Download](#)

b0d43de27c

[Acpi Hpq0004 Xp Driver Download](#)